

CiC3

Community Innovation & Co-Creation Centre



ARDUINO

A
Y



Arduino is an open-source physical computing platform based on a simple microcontroller board, and a development environment for writing software for the board. Arduino can be used to develop interactive objects, taking inputs from a variety of switches or sensors, and controlling a variety of lights, motors, and other physical outputs. Arduino projects can be stand-alone, or they can communicate with software running on your computer (e.g. Flash, Processing, MaxMSP.)

On Arduino Day students will get introduction to Micro controller board and brief knowledge about Arduino Board. They will be introduced to Arduino Community and get time to play with Arduino board after the event in CiC3 Lab.

Resource Person: Prof. Raj Hakani

Interested Engineering Students can participate in the Workshop.

**Fees: 75/- Rs for Student from GTU affiliated Colleges (College ID Card is compulsory)
120/- Rs. for Non GTU Students.**

Note: During Two-day Workshop Components will be provided by University (for Hand on Purpose only)

Date: 03/02/2018 and 4/02/2018

Time: 10:30 am-5:00 pm

Venue:

**Gujarat Technological University, Community Innovation & Co-Creation Centre,
IIT Gandhinagar Shed No. 2, Near Visat Three Road, Visat-Gandhinagar Highway,
Chandkheda, Ahmedabad**

To register: <https://goo.gl/forms/erZKCY6VIHTO0E7z1>

Since limited seats are available , kindly register at the earliest. Students have to carry their own Laptop.

students will get confirmation by email on or before 5:00 P.M, 01/02/2018.

For any query you can contact: Raj Hakani, Email: ap_raj@gtu.edu.in

TOPIC will be cover during workshop

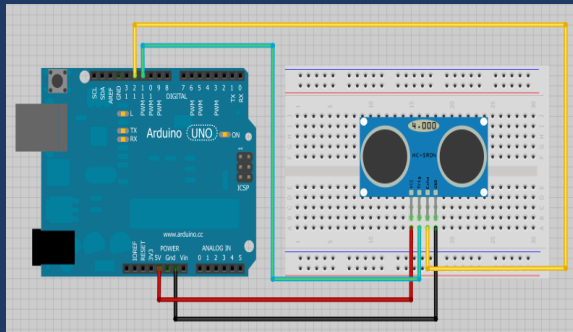
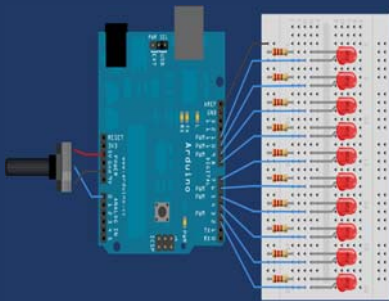
Day- 1

- **Basic of Arduino**
- **Interfacing with Basic Electronics Components (LEDs, LCD, 7-Segments)**
- **Interfacing with Sensors**
- **Interfacing with Actuators**

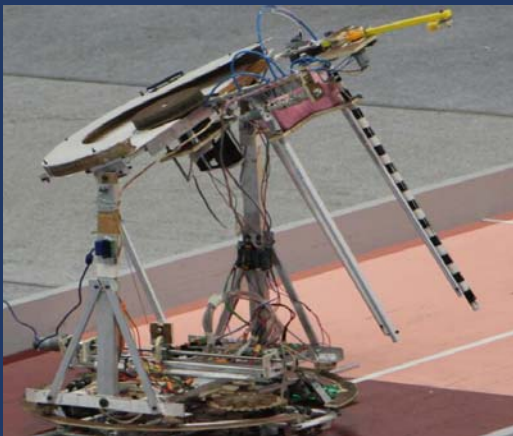
Day – 2

- **Interfacing with Modules (GSM, Voice Recognition, Bluetooth etc.)**
- **Serial Communication with other Software like Scilab, Matlab, LabVIEW etc.**
- **Mini Projects using Arduino**
- **How to Make Advance Project using Arduino**

Interfacing with Arduino/ Minor Projects



Advance Project



Step for Payment (for reference only)

Step 1: Open Following Link in browser

Link: <https://www.onlinesbi.com/prelogin/institutiontypedisplay.htm>

Select: **State of Corporate/Institution as Gujarat**
Type of Corporate/Institution: Education Institutes

Press **Go** for Next Step

State Bank Collect 02-Jan-2018 [12:15 PM IST]

Select State and Type of Corporate / Institution

State of Corporate/Institution *

Type of Corporate/Institution *


Step 2: Educational Institutions Name: **Gujarat Technological University**

Press **Submit** for Next Step

State Bank Collect 02-Jan-2018 [12:16 PM IST]

Select from Educational Institutions *

Educational Institutions Name

 Mandatory fields are marked with an asterisk (*)

Step 3: Select Payment Category: **OTHER FEE_GRANT**

Fill up your Detail

State Bank Collect 02-Jan-2018 [12:16 PM IST]



GUJARAT TECHNOLOGICAL UNIVERSITY
(Established Under Gujarat Act No.: 20 of 2007)
ગુજરાત ટેકનોલોજીકલ યુનિવર્સિટી
(ગુજરાત અધિનિયમ ક્રમાંક : ૨૦/૨૦૦૭ દ્વારા સ્થાપિત)

GUJARAT TECHNOLOGICAL UNIVERSITY
NR VISHWAKARMA GOVT ENGG COLLEGE NEAR VISAT THREE ROADS
SABARMATI KOBA HIGHWAY CHANDKHEDA, , AHMEDABAD-382424


Provide details of payment

Select Payment Category *

 Mandatory fields are marked with an asterisk
The payment structure document if available
Date specified(if any) should be in the format of 'ddmmyyy'. Eg., 02082008

Press **Submit** for Payment

State Bank Collect 02-Jan-2018 [11:56 AM IST]



GUJARAT TECHNOLOGICAL UNIVERSITY
(Established Under Gujarat Act No.: 20 of 2007)
ગુજરાત ટેકનોલોજીકલ યુનિવર્સિટી
(ગુજરાત અધિનિયમ ક્રમાંક : ૨૦/૨૦૦૭ દ્વારા સ્થાપિત)

GUJARAT TECHNOLOGICAL UNIVERSITY
NR VISHWAKARMA GOVT ENGG COLLEGE NEAR VISAT THREE ROADS
SABARMATI KOBA HIGHWAY CHANDKHEDA, , AHMEDABAD-382424

Provide details of payment

Select Payment Category *

NAME OF INSTITUTE / STUDENT *

INST. CODE / ENROLLMENT NO.(IF ANY)

DEGREE(if not applicable select OTHER) *

SPECIFY THE REASON FOR FEES/GRANT FOR PAYING *

REFERENCE NUMBER/LETTER IF ANY

AMOUNT *

Remarks

Please use this Category only in cash of Category is not specify for payment you want to make

Please enter your Name, Date of Birth (For Personal Banking) / Incorporation (For Corporate Banking) & Mobile Number.
This is required to reprint your e-receipt / remittance(PAP) form, if the need arises.

Name *

Date of Birth / Incorporation*

Mobile Number *

Enter the text as shown in the image *